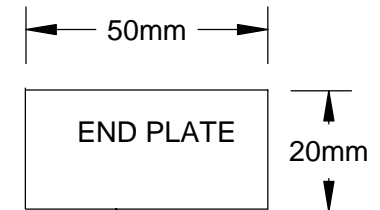
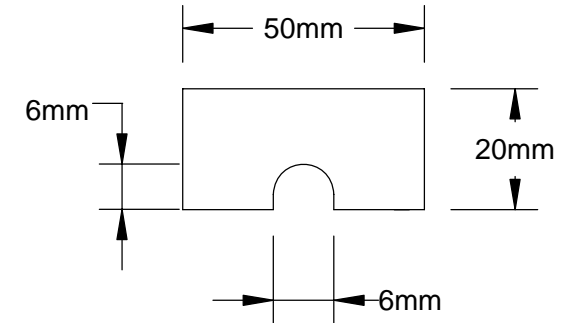
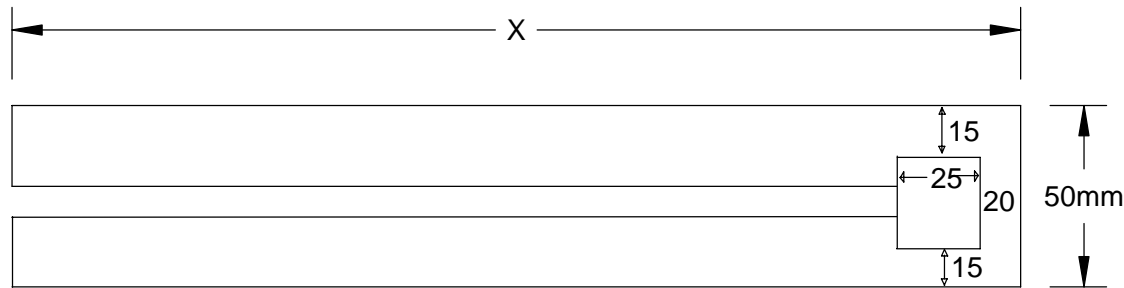
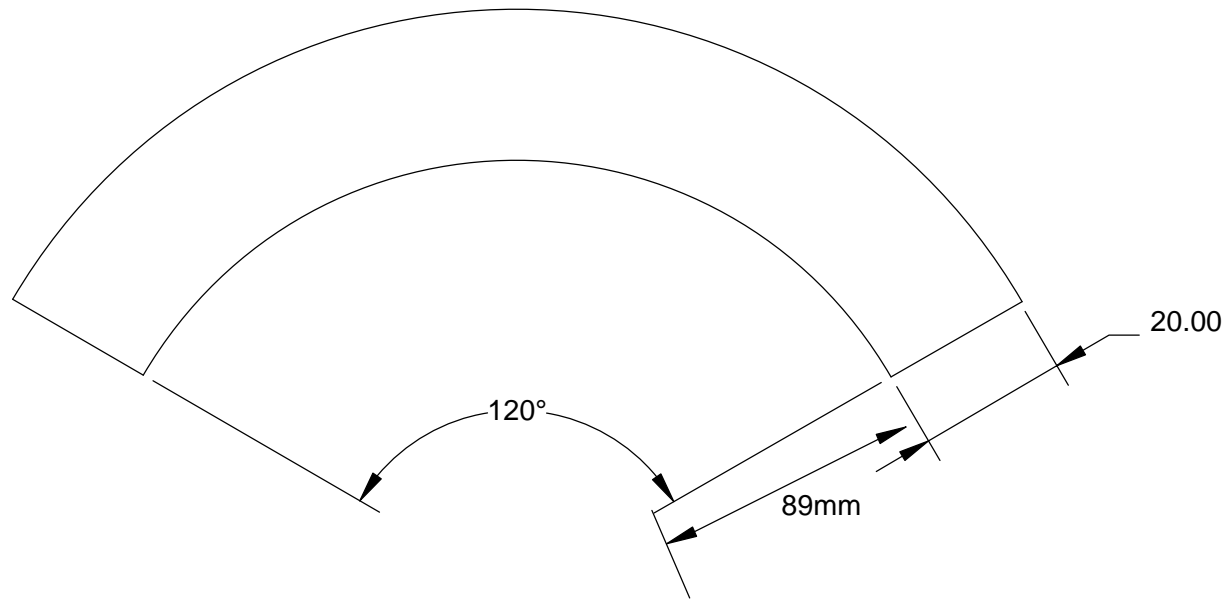
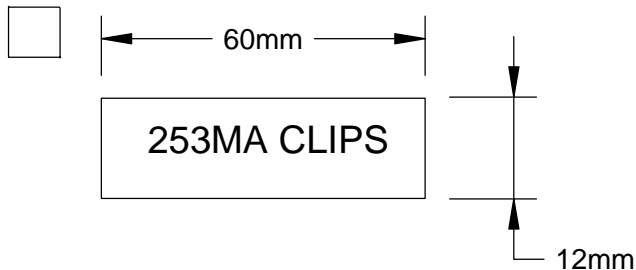


# 253MA HEAT SHIELD

DIAMETER OF PIPE 7.0" (178mm)



## OPTIONS



FILL WITH FIRE CEMENT,  
MOULD TO THERMOCOUPLE

**TEMPERATURE CONTROLS PTY LTD** Certificate No: QEC 14412  
ISO 9001

### CONDITIONS

THIS DRAWING IS OUR EXCLUSIVE PROPERTY AND MUST NOT BE COPIED OR HANDED TO ANY OTHER PARTIES WITH OUT WRITTEN PERMISSION. IT SHALL BE RETURNED UPON REQUEST

SYDNEY : 7 YAMMA ST SEFTON , NSW 2162  
PHONE : (02) 9721 8644 FAX : (02) 9738 9339  
MELBOURNE : 8/280 Whitehall St  
YARRAVILLE VIC 3013  
PHONE : (03) 9687 0000 FAX : (03) 9687 1900  
EMAIL : sales@temperature.com.au



TITLE

SIZE : A4	DATE : 01/07/10	DWG NO : SD 799
SCALE : NTS	DRAWING BY R.B	REV : 00